

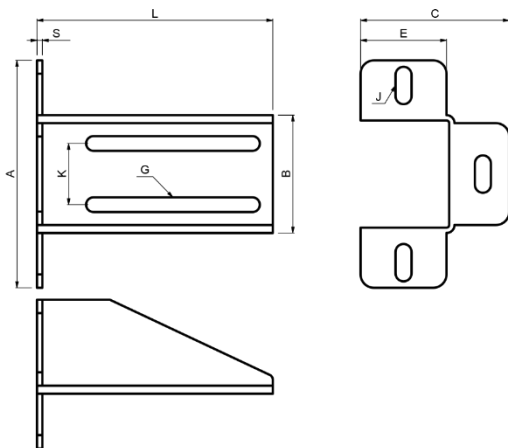
Technical report


Art.

PARK



Art.	PARK
Product	END STOP BRACKET
Item code	1700006
Material	Body - S 235 JR, Bolt M 10x20 - DIN 603, Nut M 10 - DIN 6923
Surface finish	ČSN EN ISO 19598 - Fe//Zn12//Cn//T2nL
Guarantee	24 months



Art.	L	A	B	C	E	G	J	K	S	END STOP	1pc		CODE	
	mm										kg	pcs	kg	
PARK	175	170	88	95	50	11X132	12X30	46	4	LAST/PADDOCK	1,11	2	2,22	1700006
PARK 240	245	170	88	95	50	11X200	12X30	46	4	LAST/PADDOCK	1,35	2	2,7	1700196