

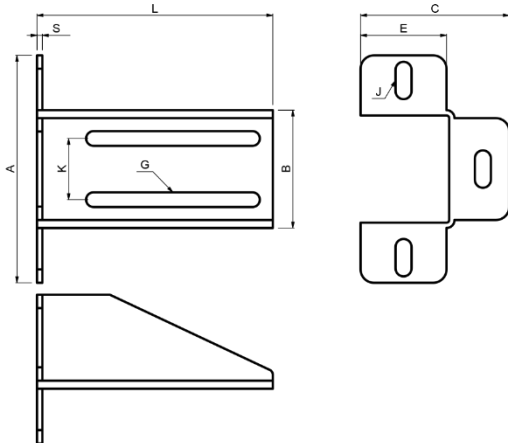
## Technical report


Art.

## PARK 240



<b>Art.</b>	PARK 240
<b>Produkt</b>	END STOP BRACKET
<b>Item code</b>	1700196
<b>Material</b>	Body - S 235 JR, Bolt M 10x20 - DIN 603, Nut M 10 - DIN 6923
<b>Surface finish</b>	ČSN EN ISO 19598 - Fe//Zn12//Cr//T2nL
<b>Guarantee</b>	24 months



Art.	L	A	B	C	E	G	J	K	S	END STOP	1pc		CODE	
mm											kg	pcs	kg	
<b>PARK</b>	175	170	88	95	50	11X132	12X30	46	4	LAST/PADDOCK	1,11	2	2,22	1700006
<b>PARK 240</b>	245	170	88	95	50	11X200	12X30	46	4	LAST/PADDOCK	1,35	2	2,7	1700196