

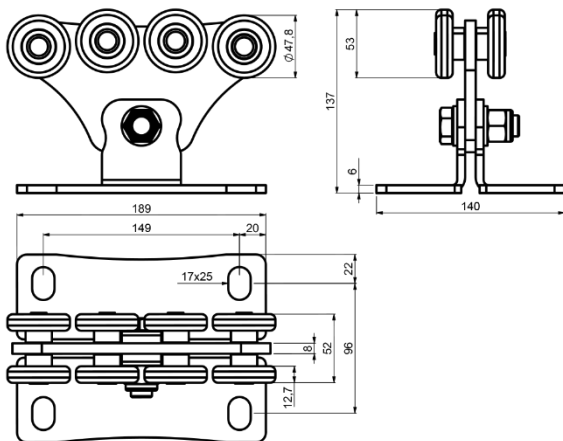
Technical report


Art.



SPEED SE

Art.	SPEED SE
Product	EIGHT WHEELED CARRIAGE FOR CANTILEVER GATE
Item code	1700174
Material	Body - S 235 JR, Roller - C45, Pin - 11SMn30, Distancial - 11SMn30, Bearing - 6201 2RS, Bolt M 16 x 45 - DIN 933, Nut M 16 - DIN 985, Washer M 16 - DIN 125A
Surface finish	ČSN EN ISO 19598 - Fe//Zn12//Cn//T2nL
Guarantee	24 months



Art.	A	GUIDE	1pc			CODE
	max. mm		kg	pcs	kg	
SPEED SE	4000	STAGE SB/SZ	3,5	2	7	1700174