

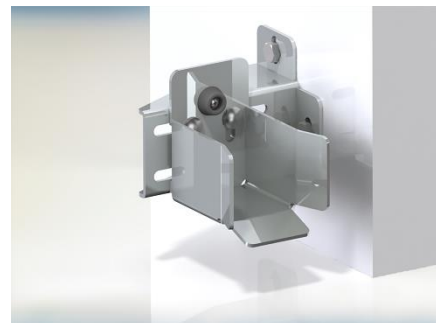
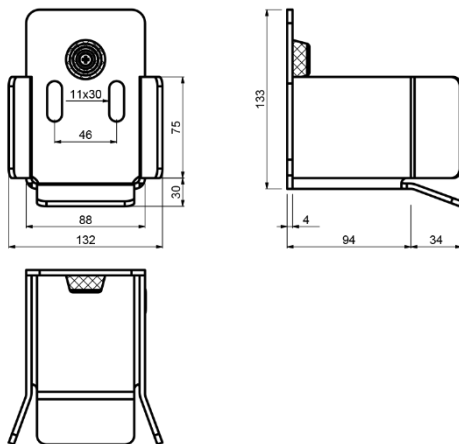
Technical report


Art.

LAST S



Art.	LAST S
Product	END STOP FOR CANTILEVER GATE
Item code	1700005
Material	Body - S 235 JR, Bolt M 5x8 - DIN 7985, Rubber - TPE SANTOPRENE
Surface finish	ČSN EN ISO 19598 - Fe//Zn12//Cr//T2nL
Guarantee	24 months



Art.	GUIDE	1pc			CODE
		kg	pcs	kg	
LAST S	STAGE SB/SZ	1,24	2	2,48	1700005