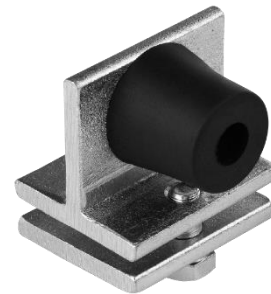


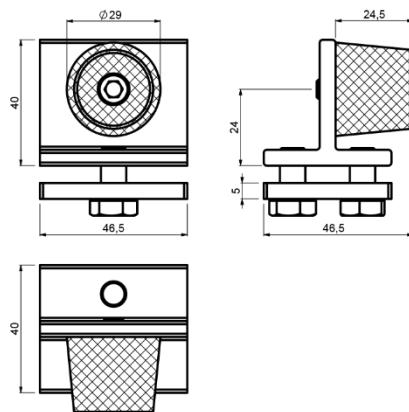
Technical report


Art.



FINISH S

Art.	FINISH S
Product	INTERNAL GUIDE END STOP
Item code	1700008
Material	Body - S 235 JR, Bolt M 8x16 - DIN 933, Bolt M 6x16 - DIN 912, Rubber - TPE SANTOPRENE
Surface finish	ČSN EN ISO 19598 - Fe//Zn12//Cr//T2nL
Guarantee	24 months



Art.	GUIDE	1pc			CODE
		kg	pcs	kg	
FINISH S	STAGE SB/SZ	0,23	20	4,6	1700008