

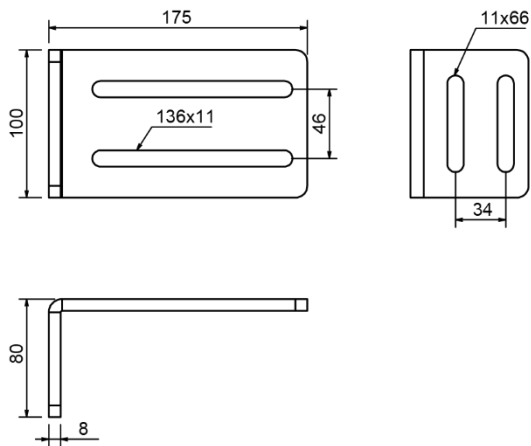
Technical report


Art.

PARK CSM



Art.	PARK CSM
Product	END STOP BRACKET
Item code	1700359
Material	Body S 235 JR, Bolt M 10x25 - DIN 603, Nut M 10 - DIN 6923
Surface finish	ČSN EN ISO 19598 - Fe//Zn12//Cn//T2nL
Guarantee	24 months



Art.	BRACKET	1pc			CODE
		kg	pcs	kg	
PARK CSM	LAST/PADDOCK	1,36	2	2,72	1700359