

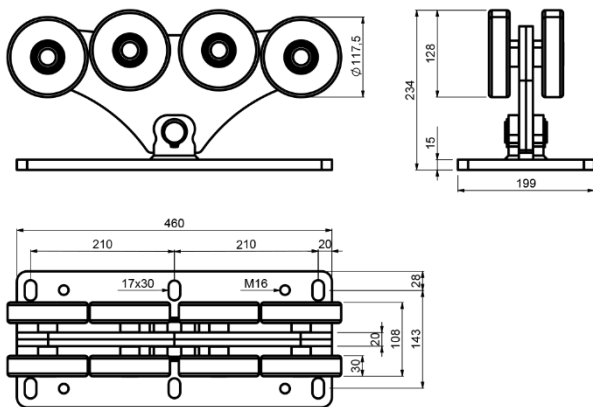
Technical report


Art.

SPEED L



Art.	SPEED L
Product	EIGHT WHEELED CARRIAGE FOR CANTILEVER GATE
Item code	1700018
Material	Body - S 235 JR, Roller - C45, Pin - 11SMn30, Distancial - 11SMn30, Bearing - 6004 2RS, Retaining ring - DIN 471
Surface finish	ČSN EN ISO 19598 - Fe//Zn12//Cn//T2nL
Guarantee	24 months



Art.	A	GUIDE	1pc			CODE
				pc	kg	
SPEED L	max. mm	STAGE LB/LZ	kg	1	39,5	1700018