

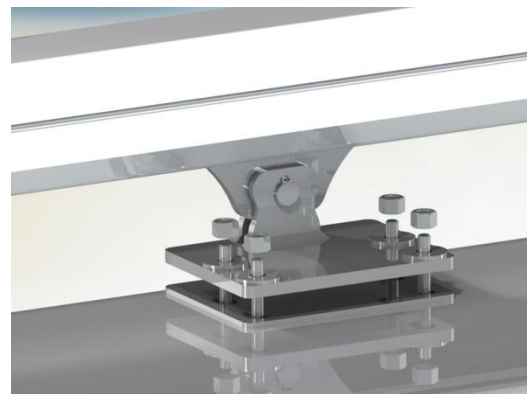
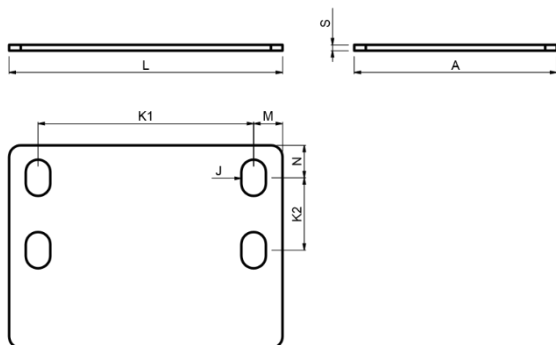
Technical report


Art.



RAMP SK 2

Art.	RAMP SK 2
Product	WASHER FOR CANTILEVER CARRIAGE
Item code	1700289
Material	Body - S 235 JR
Surface finish	ČSN EN ISO 19598 - Fe//Zn12//Cn//T2nL
Guarantee	24 months



Art.	L	A	J	K1	K2	M	N	S	CARRIAGE	1pc			CODE	
										kg	pcs	kg		
	mm													
RAMP SK 2	189	140	17x25	149	50	20	22	2	SPEED SK	0,4	6	2,4	1700289	
RAMP SK 4	189	140	17x25	149	50	20	22	4	SPEED SK	0,78	6	4,68	1700290	
RAMP SK 6	189	140	17x25	149	50	20	22	6	SPEED SK	1,13	6	6,78	1700291	