

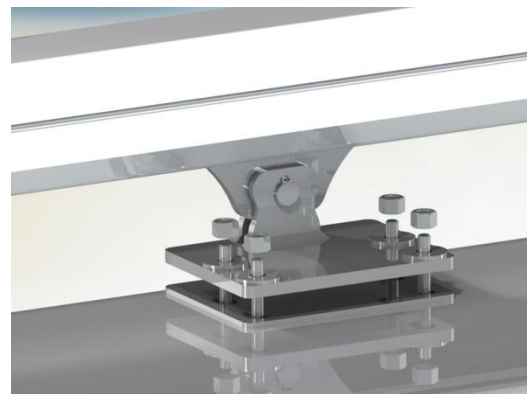
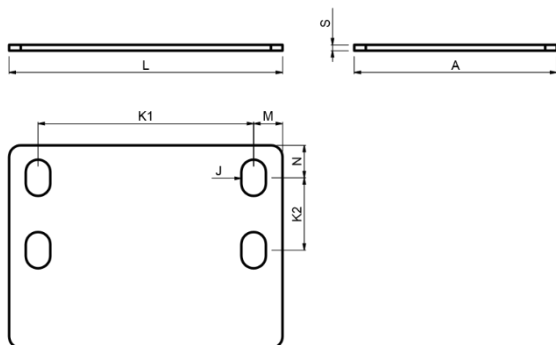
## Technical report


Art.



## RAMP SK 6

<b>Art.</b>	RAMP SK 6
<b>Product</b>	WASHER FOR CANTILEVER CARRIAGE
<b>Item code</b>	1700291
<b>Material</b>	Body - S 235 JR
<b>Surface finish</b>	ČSN EN ISO 19598 - Fe//Zn12//Cn//T2nL
<b>Guarantee</b>	24 months



Art.	L	A	J	K1	K2	M	N	S	CARRIAGE	1pc			CODE	
										kg	pcs	kg		
	mm													
<b>RAMP SK 2</b>	189	140	17x25	149	50	20	22	2	SPEED SK	0,4	6	2,4	1700289	
<b>RAMP SK 4</b>	189	140	17x25	149	50	20	22	4	SPEED SK	0,78	6	4,68	1700290	
<b>RAMP SK 6</b>	189	140	17x25	149	50	20	22	6	SPEED SK	1,13	6	6,78	1700291	