

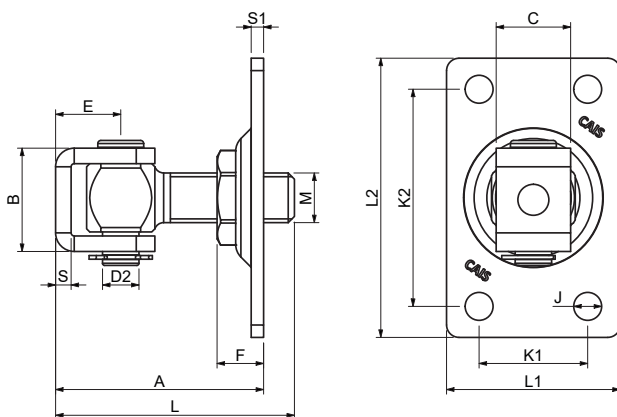
## Technical report


Art.

### HP 16 R



Art.	HP 16 R
Product	ADJUSTABLE HINGE WITH PLATE, FIXED
Item code	1700373
Material	Body - S 355 J2C, „C“ claim - S 235 JR, Plate - S235 JR, Pin - 11SMn30, Hexagon - 11SMn30, Rivet nut - 11SMn30, Retaining ring - DIN 6799
Surface finish	ČSN EN ISO 19598 - Fe//Zn12//Cn//T2nL

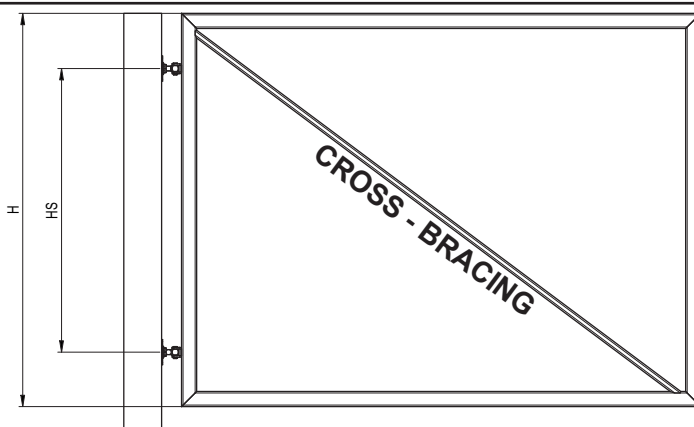


Art.	M	L1	L2	A min./max.	L	B	C	D2	E	F	J	K1	K2	S	S1	1pc		CODE	
				mm				∅	mm		∅	mm			kg	pcs	kg		
HP 16 R	M16	56	90	50 - 77	77	33	24	12	21	15	9	35	70	5	4	0,39	20	7,8	1700373

\*All specifications, photographs and technical drawings are the property of CAIS s. r. o. and are protected by copyright. Product specifications can be changed without prior notice.

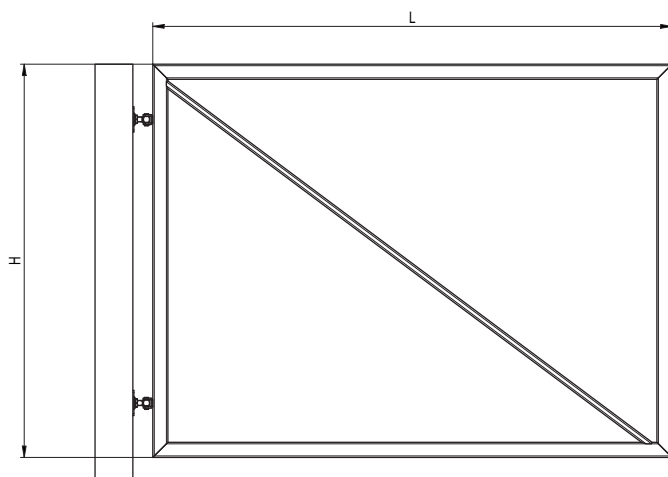
## 1) HINGE SPACING

HS = min. 75% H



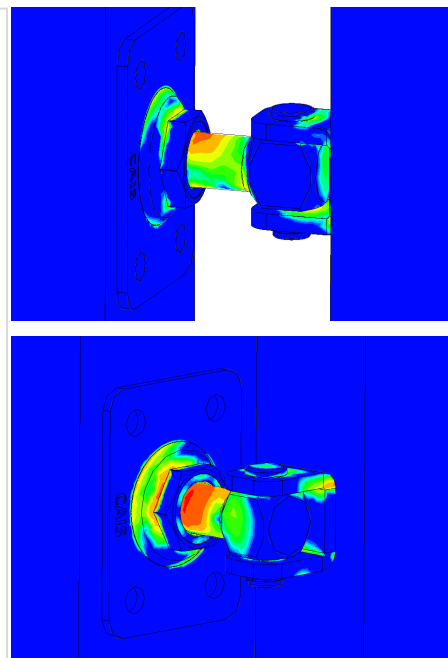
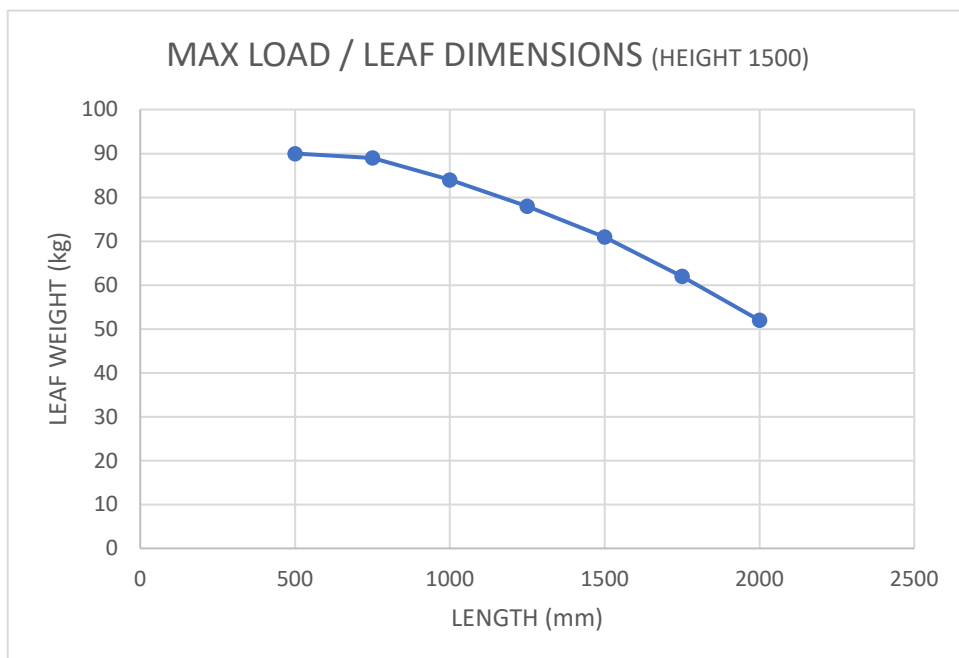
## 2) ASPECT RATIO

$L/H \leq 2$



## 3) ASPECT RATIO

$L = \text{max. } (H + 40\% H)$



Art.	"MAX WIDTH"	"MAX HEIGHT"	"MAX"	"MAX CAPACITY"	CYCLES	MAINTENANCE
	mm		m2	1 pair/kg	nr	
HP 16 R	3000	2500	5,5	145	200 000	Greasing „every 25 000 cycles / 1 times per year“

\*All specifications, photographs and technical drawings are the property of CAIS s. r. o. and are protected by copyright. Product specifications can be changed without prior notice.